

DÖNER ELEMAN / HYDRAULIC ROTATING



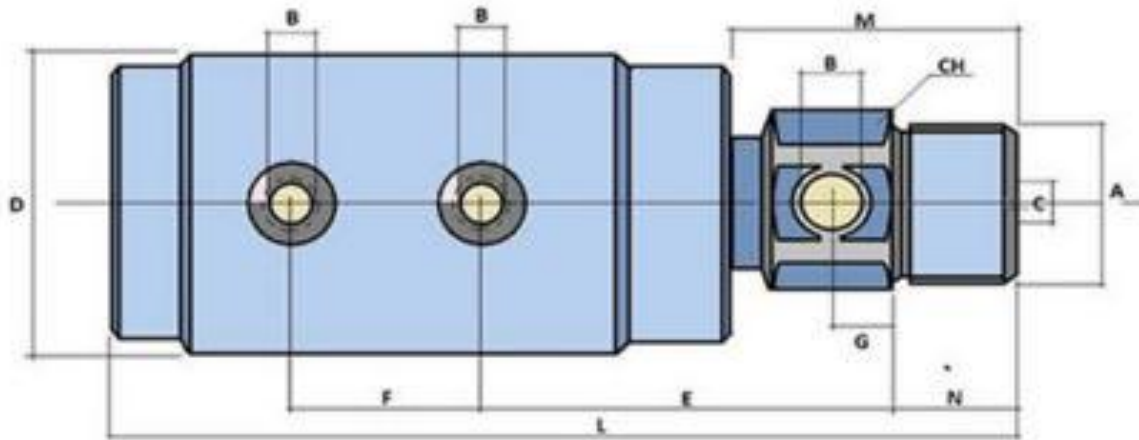
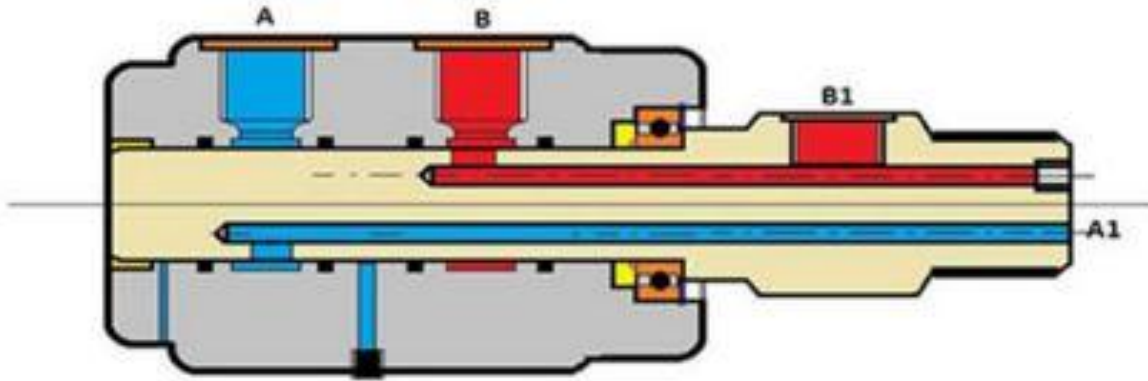
ÖLÇÜ	GÖVDE	GİRİŞ	DEVİR	BASINÇ	FİYAT
3/4"R	İTHAL ÇELİK ALAJİM ALUMİNYUM	1/4"-1/4"	250 d/d	250 Bar	1000002
1"R		3/8"-3/8"	250 d/d	250 Bar	1000002
1"R		1/4"-1/4"	250 d/d	250 Bar	1000002
1,1/4"R		3/8"-3/8"	250 d/d	250 Bar	1000002
1,1/2"R		3/8"-3/8"	250 d/d	250 Bar	1000002

İNDİKSİYONLU ÇELİK MİL -KARBON VEYA BRONZ DESTEKLİ İTHAL KEÇELİ.

MAX BASINÇ : 250 BAR

MAX SICAKLIK : 120 °C

DÖNER ELEMAN / HYDRAULIC ROTATING



A	B	C	D	E	F	G	L	M	N	CH
1/2"	1/4"	5	65	74,2	19	16	134	53	15	41
3/4"	1/4"	8	70	80	32	18	160	60	20	41
3/4"	3/8"	8	70	80	32	18	160	60	20	41
1"	1/4"	8	70	80	32	18	160	60	20	41
1"	3/8"	10	70	80	32	18	160	60	20	41
1,1/4"	1/2"	15	80	86	40	20	185	70	25	60
1,1/2"	3/4"	19	100	100	48	20	224	80	30	65